

NOTES: UNLESS OTHERWISE SPECIFIED

1. ALL RESISTORS ARE IN OHMS + 10 PCT, 1/4W. ALL CAPACITORS ARE IN UF.
3. TO CONTROL T5C EXTERNAL, THE PRINTED CIRCUIT JUMPER MUST BE CUT.
4. DENOTES EQUIPMENT MARKING.

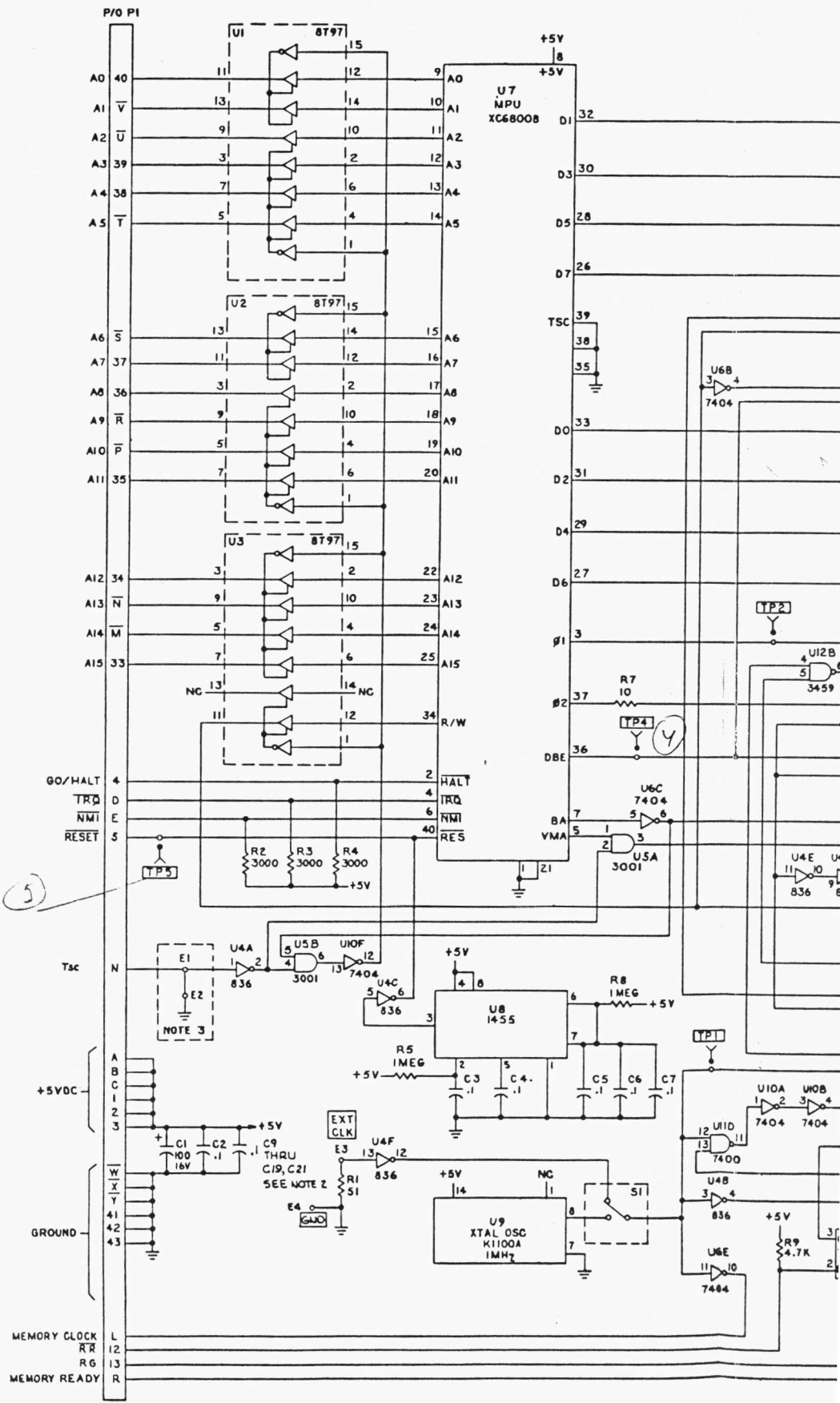
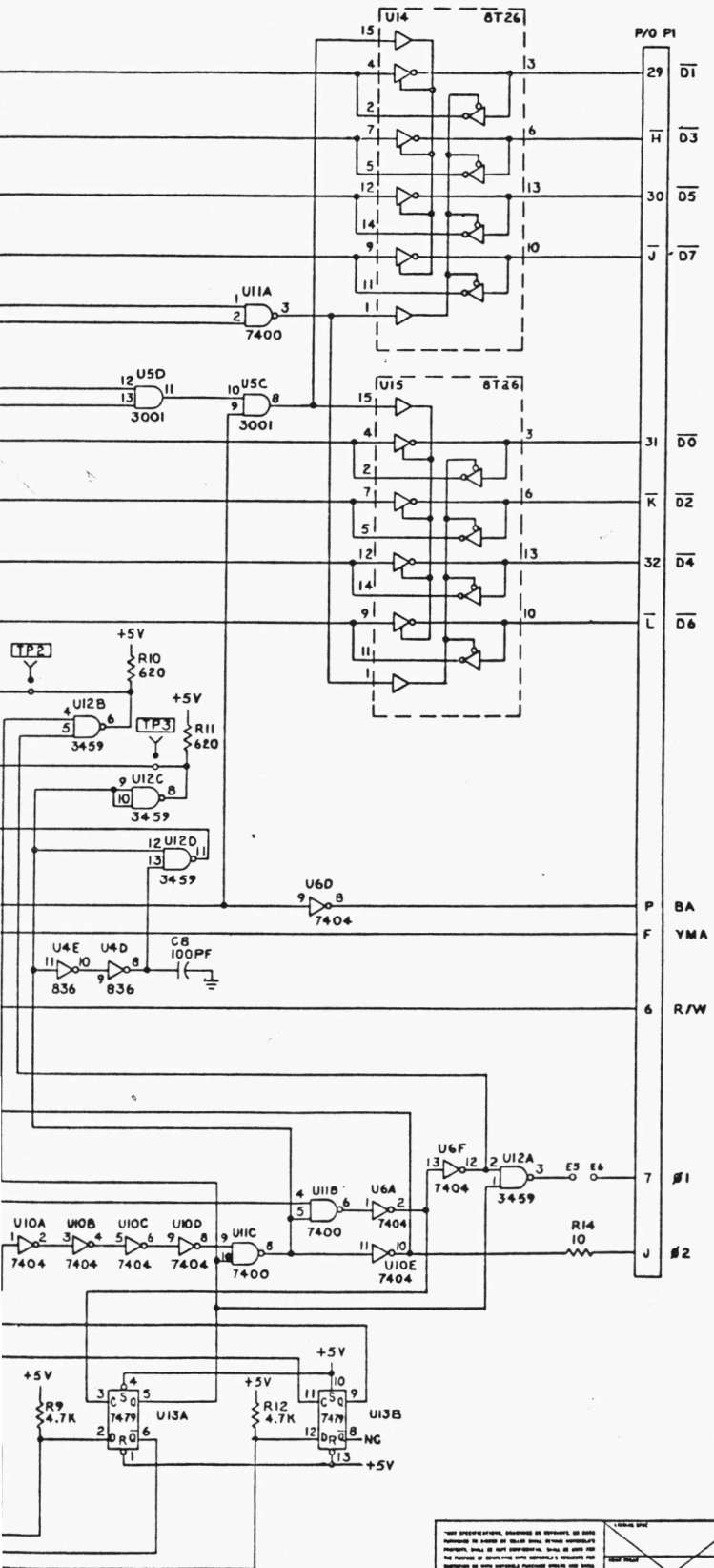


FIGURE 5-5. MPU Module Schematic Diagram

REV	DATE	BY	REASON	APPROVED
1		A	RELEASED	
2		D	RELEASED TO FIELD	
3		K	RELEASED TO FIELD	



11 0
01 1
10 1
00 1

63EW1026X

<p>THIS INFORMATION, INCLUDING AN IDENTIFYING NUMBER, IS UNCLASSIFIED EXCEPT WHERE SHOWN OTHERWISE. DATE OF DECLASSIFICATION IS INDEFINITE.</p>		<p>DATE OF DECLASSIFICATION: 02/21/76</p>	
<p>CLASSIFICATION: UNCLASSIFIED</p>		<p>DATE OF DECLASSIFICATION: 02/21/76</p>	
<p>REASON FOR DECLASSIFICATION: 25X(1)</p>		<p>DATE OF DECLASSIFICATION: 02/21/76</p>	
<p>REASON FOR DECLASSIFICATION: 25X(1)</p>		<p>DATE OF DECLASSIFICATION: 02/21/76</p>	
<p>REASON FOR DECLASSIFICATION: 25X(1)</p>		<p>DATE OF DECLASSIFICATION: 02/21/76</p>	
<p>REASON FOR DECLASSIFICATION: 25X(1)</p>		<p>DATE OF DECLASSIFICATION: 02/21/76</p>	

SCHEMATIC DIAGRAM
MPU MODULE
EXERCISE™ MODULE
MOTOROLA INC.
MEX6800-1101S
63EW1026X